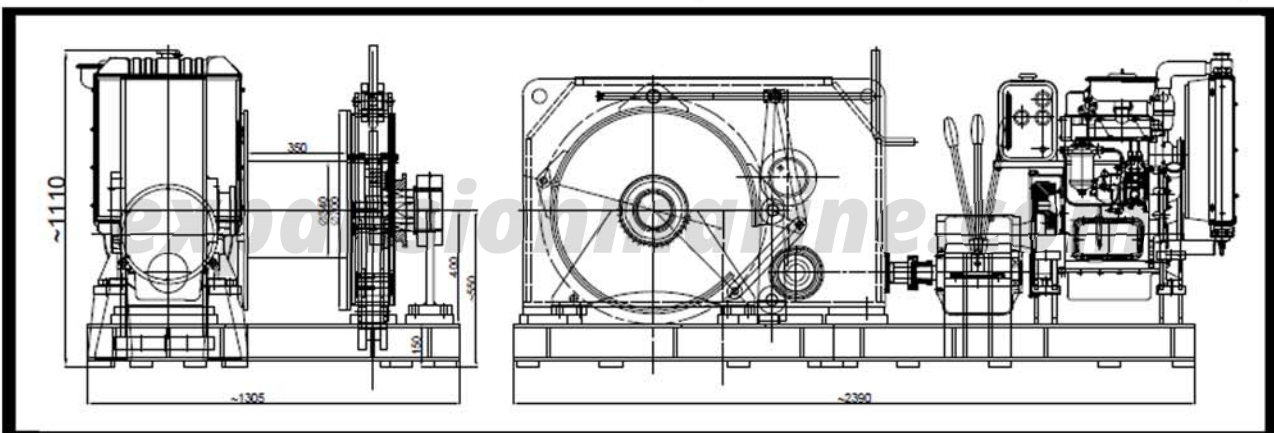




# Diesel engine winch

## 7T diesel engine winch

ISO9001-2008



**Application:** Mooring winch, towing winch, anchor winch

- Feature:**
- .All steel continuous weld construction
  - .Powered by diesel engine
  - .Manual brake/clutch
  - .Local joystick
  - .Marine coast system

**Option:** .remote control

Specification/performance		
Line pull		7T@1ST
Brake capacity		21T
Drum capacity		20mm@150m,6layers
Diesel power		22kw
Dimension(L*W*H)@dry weight		2390*1305*1110@

### Expansion Marine Equipment Co.,Ltd

2# Road Huanxi, Industry park east of taixing city, Jiangsu Province, China, 225400

T: +86-(0)-523-80737092 F: 80737073

M: +86-(0)-13961036109

Email: qb.zhu@expansionmarine.com



## Expansion marine

You can trust her

[Http://www.expansionmarine.com](http://www.expansionmarine.com)