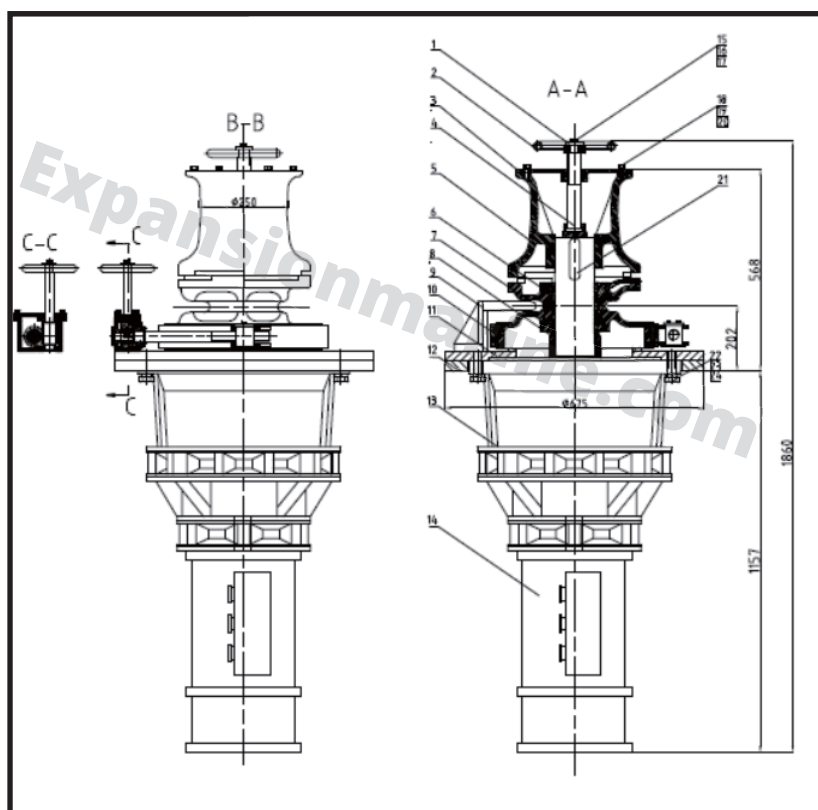




Taixing Expansion Marine Equipment Co.,Ltd



19mm electric anchor Capstan



Dia.of chain : $\phi 19\text{mm}$
Working load : 17.2KN
Over load pulling force: 25.8kN
Nominal speed: 10m/min

Dia.of warping : $\phi 16\text{mm}$
Warping load: 10kN
Nominal speed: 9m/min

motor model: YZ-160L-4/12-H
motor power: 6.3/2.2kw
retarder Model: BL3322-121

Taixing Expansion Marine Equipment Co.,Ltd
Contactor:David Zhu qb.zhu@expansionmarine.com
ADD: 2# Huanxi Road,Industry park east of Taixing
City,Jiangsu Proviince, China, 225400
T:+86-523-80737092 F:+86-523-80737073
M:+86-13961036109 H:www.expansionmarine.com



Windlass up to 113mm
Winch up to 300T
Capstan up to 20T
Hydraulic Pump station
Emergency Towing System
Sharkjaw and A frame