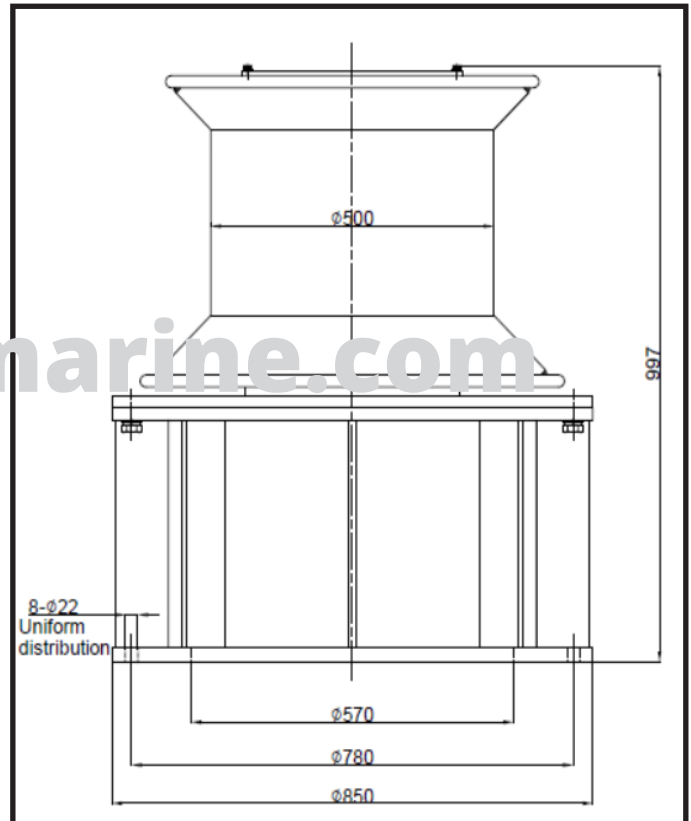




Taixing Expansion Marine Equipment Co.,Ltd



2T Hydraulic Capstan



Technical parameters:

1. Working load : 20 KN
2. Working speed : 15 m/min
3. Suitable rope : 22 mm (Wire rope)
80 mm (PP rope)
4. Hydraulic motor : JMDG6-700
Working pressure : 13 Mpa
Working flow : 45 L/min

Taixing Expansion Marine Equipment Co.,Ltd
Contactor:David Zhu qb.zhu@expansionmarine.com
ADD: 2# Huanxi Road,Industry park east of Taixing
City,Jiangsu Province, China, 225400
T:+86-523-80737092 F:+86-523-80737073
M:+86-13961036109 H:www.expansionmarine.com



Windlass up to 113mm
Winch up to 300T
Capstan up to 20T
Hydraulic Pump station
Emergency Towing System
Sharkjaw and A frame