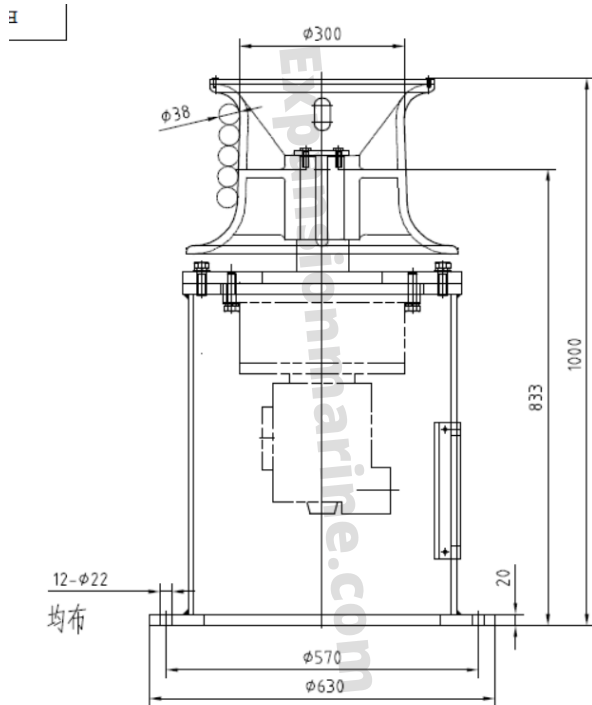




2T AIR CAPSTAN



Technical specification:

- 1. Dia. of rope : Ø38mm**
 - 2. Dia. of capstan : Ø300mm**
 - 3. Rated load : 20kN**
 - 4. Rated speed : 10m/min**
 - 5. Air motor**
- Pressure rating : 0.6MPa**
Air consumption : 5.9m³/min

