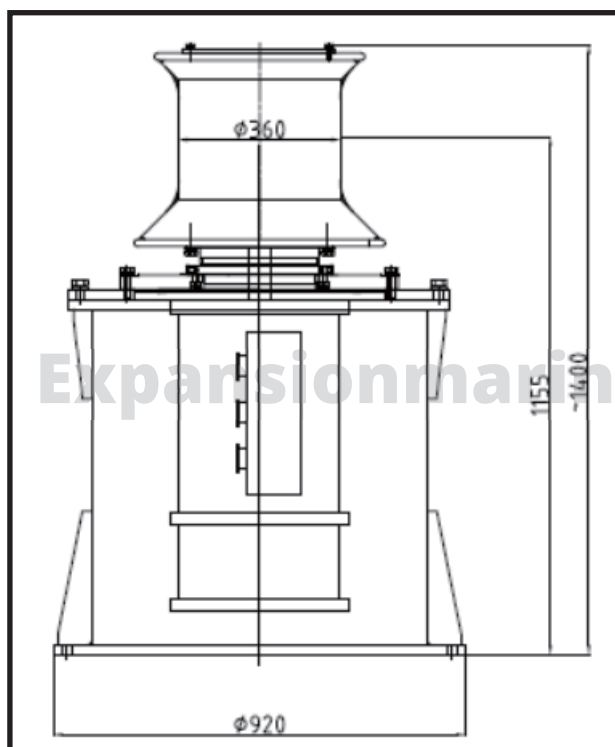




3T electric ex-proof capstan



- 1. Working pull : 30kN
- 2. Speed: 10m/min
- 3. Dia of capstan : $\phi 360$ mm
- 4. Motor: YBCA-160L-4/12 8/3.5 kW
440V 60Hz

