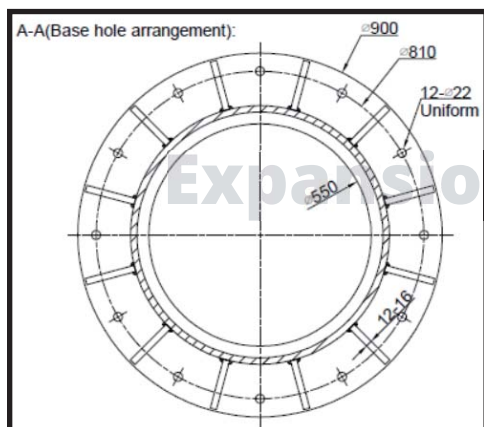
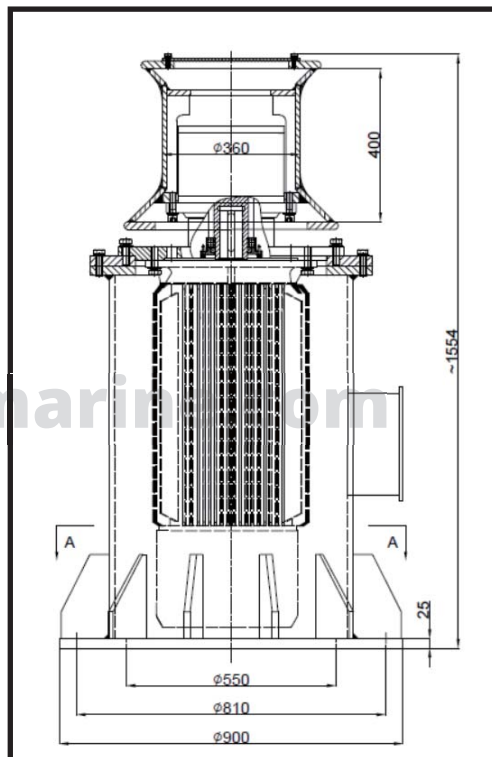




3T Variable Frequency CAPSTAN



Technical parameters:

- 1. Working load : 30kN
- 2. Nominal speed : 0 ~ 60 m/min
- 400V/50Hz/3P
- 3. Dia. of capstan : Dia360mm
- 4. Reducer : GFT17
- 5. Electric motor : YVFF225S-4-H, 37kW
- 400V/50Hz/3P

Remark: Fixed by 12-Bolts M20(Grade 8.8).

