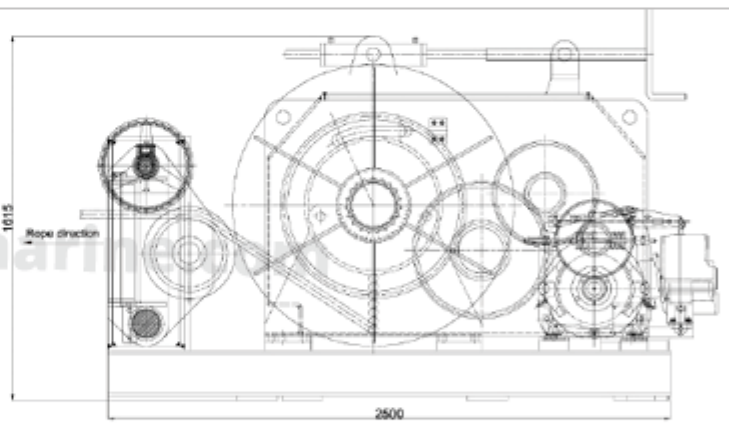
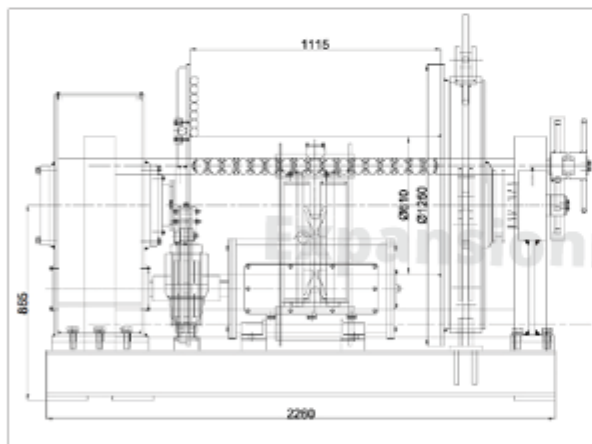
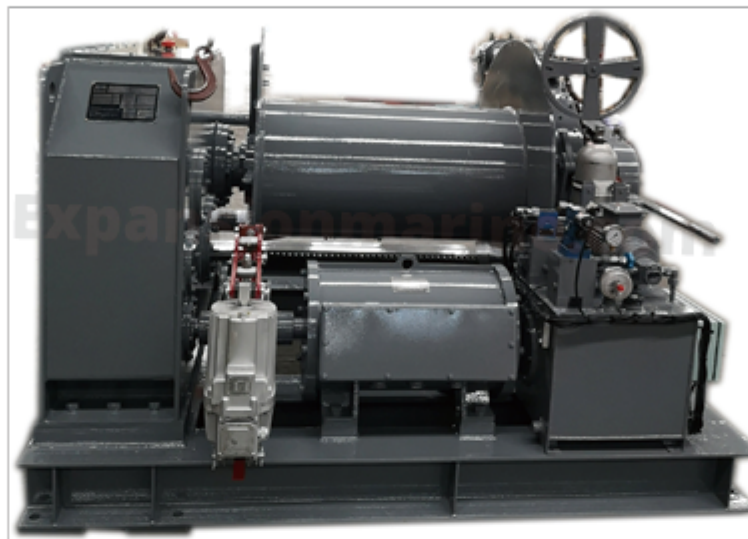




8T electric towing winch



Technical Specification:
Rated Load :80KN(1st layer)
Rated speed: 10m/min (1st layer)
Dia. of rope: 38mm
Capacity : 500m(7 layers totally)
Holding load: 360kN
Jaw clutch:Hydraulic operated
Brake: Hydraulic operated
Motor power: 22/22/ 16kW (380V 50Hz)

Taixing Expansion Marine Equipment Co.,Ltd
Contacto:David Zhu qb.zhu@expansionmarine.com
ADD: 2# Huanxi Road,Industry park east of Taixing
City,Jiangsu Proviince, China, 225400
T:+86-523-80737092 F:+86-523-80737073
M:+86-13961036109 H:www.expansionmarine.com



Windlass up to 113mm
Winch up to 300T
Capstan up to 20T
Hydraulic Pump station
Emergency Towing System
Sharkjaw and A frame