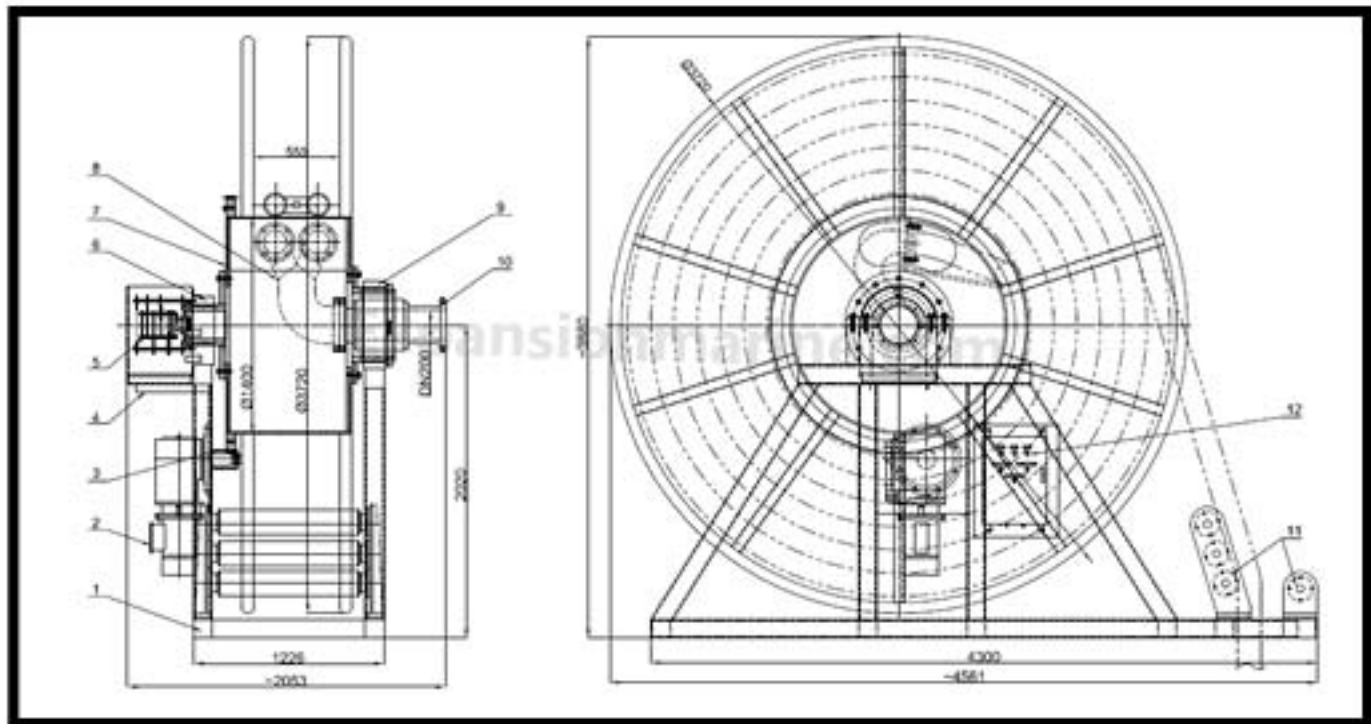




2.5 T hose winch



1. Drum load 35 kN
2. Holding load 45 kN
3. Nominal speed : 2 m/min
4. Dia. of pipe 5"(1D 127mm) X 2
5. Capacity of rope : 46 m
6. Drum layers 7 layers
7. Motor power YZ112M-4-H,2.2 kW (380V/50Hz)
8. Waterflow -350L/min



Taixing Expansion Marine Equipment Co.,Ltd
 Contactor: David Zhu qb.zhu@expansionmarine.com
 ADD: 2# Huanxi Road, Industry park east of Taixing
 City, Jiangsu Province, China, 225400
 T:+86-523-80737092 F:+86-523-80737073
 M:+86-13961036109 H:www.expansionmarine.com



Windlass up to 113mm
 Winch up to 300T
 Capstan up to 20T
 Hydraulic Pump station
 Emergency Towing System
 Sharkjaw and A frame