

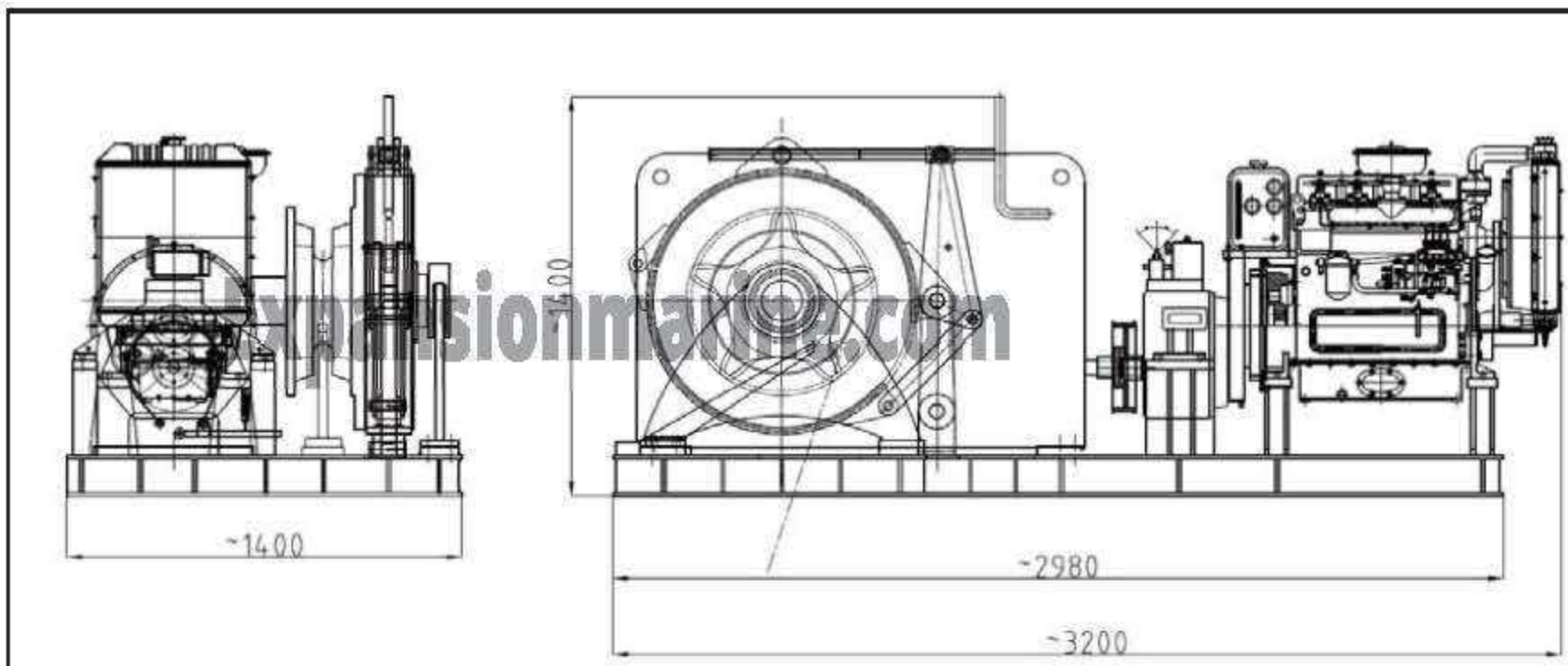


# Ø38mm diesel engine driven windlass



Technical parameter:

- 1. Dia. of chain : Ø38mm(U2)
- 2. Working load : 61.4kN
- 3. Overload : 92.1kN
- 4. Holding load : 365kN
- 5. Normal speed : 9m/min
- 6. Reducer :  
Model: 40A
- 7. Diesel engine:  
Model: 3100 30kW



**Taixing Expansion Marine Equipment Co.,Ltd**  
 Contactor: David Zhu qb.zhu@expansionmarine.com  
 ADD: 2# Huanxi Road, Industry park east of Taixing  
 City, Jiangsu Province, China, 225400  
 T: +86-523-80737092 F: +86-523-80737073  
 M: +86-13961036109 H: www.expansionmarine.com



Windlass up to 113mm  
 Winch up to 300T  
 Capstan up to 20T  
 Hydraulic Pump station  
 Emergency Towing System  
 Sharkjaw and A frame